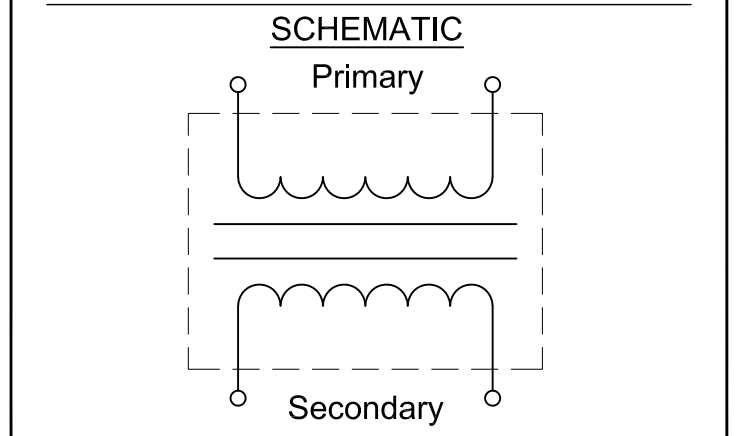
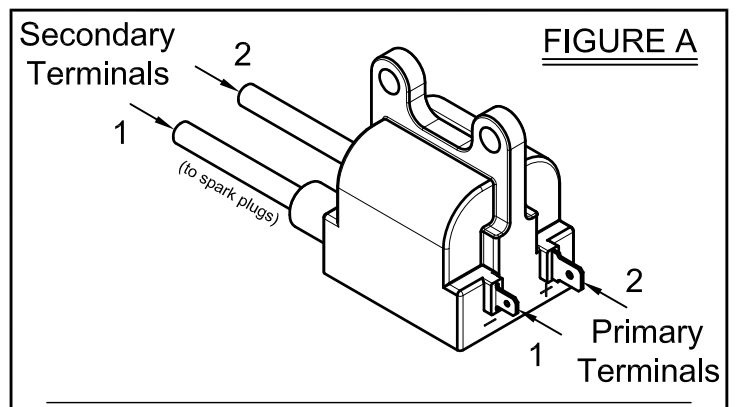
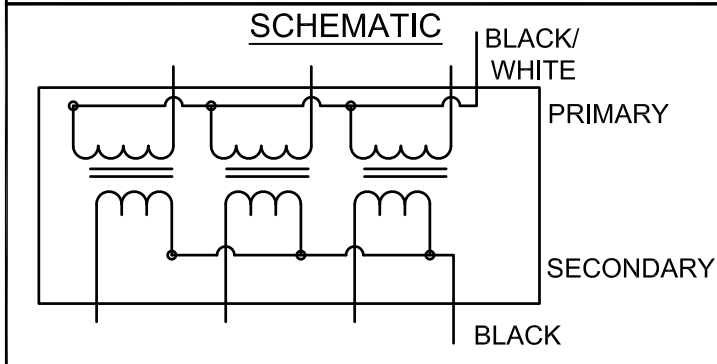
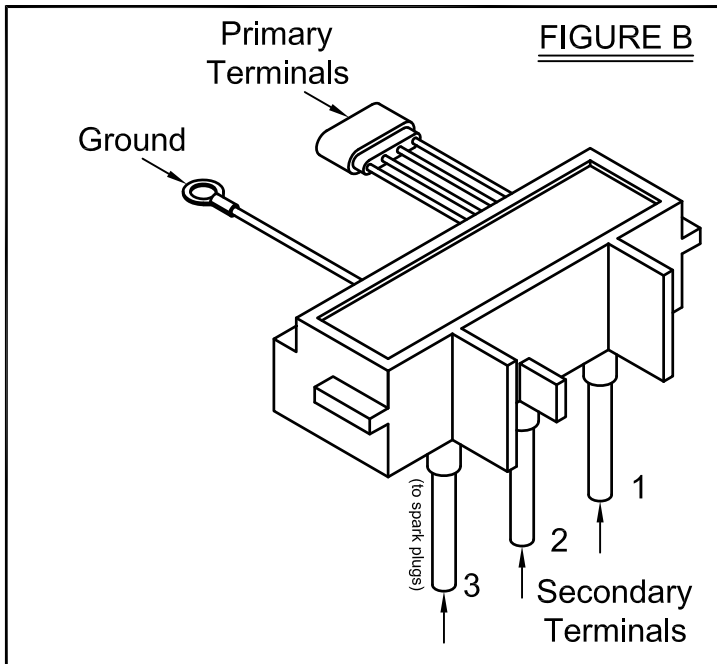
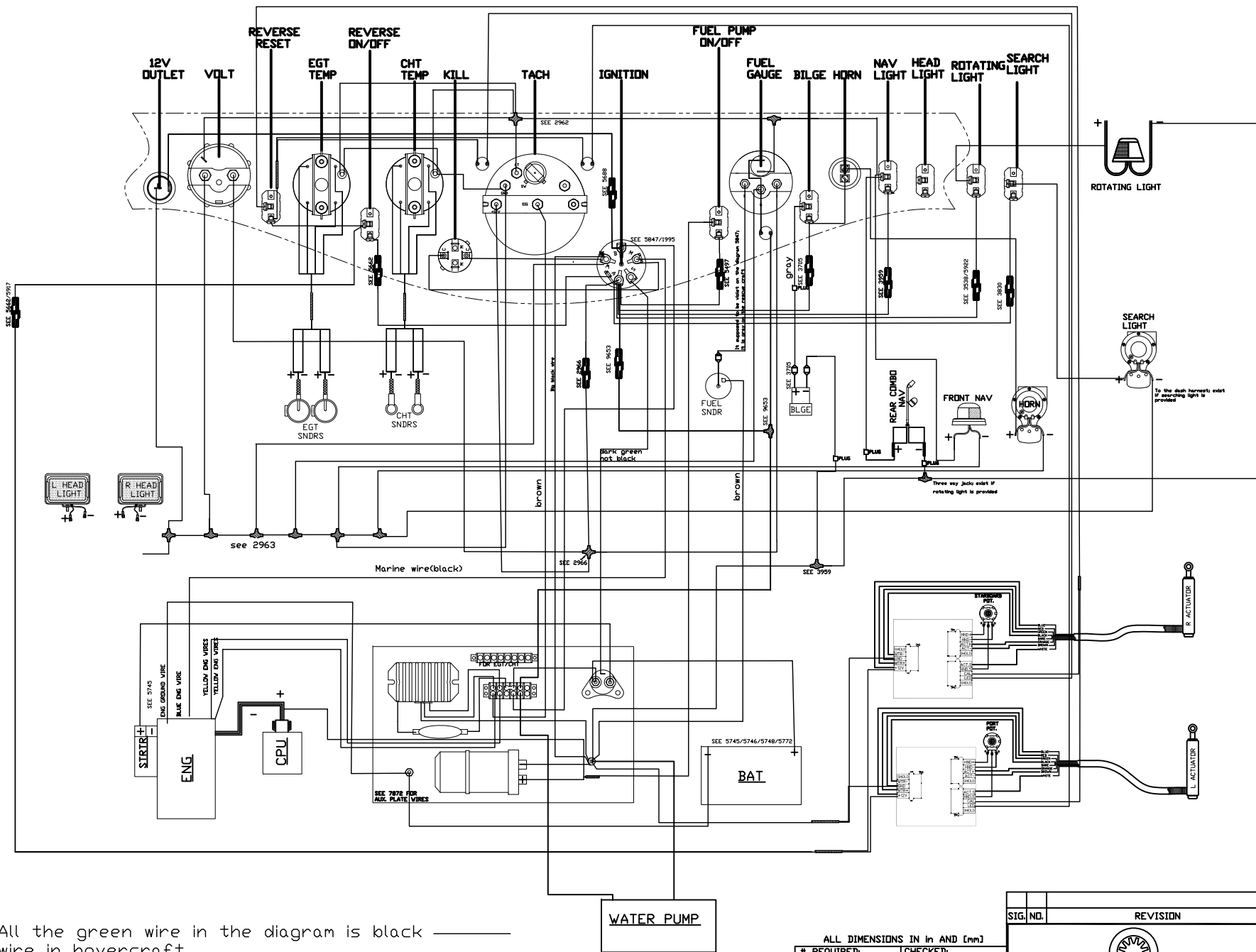


HIRTH ELECTRICAL COMPONENT RESISTANCE VALUES

Volt Meter Terminal 1 (Red Lead)	Volt Meter Terminal 2 (Black Lead)	Value	Unit	Part	Notes
Yellow Wire	Yellow Wire	0.080	Ohm	5591 - 55/65Hp Stator Coil (Magneto)	
Yellow Wire	Mount Plate	450000000 - 550000000	Ohm		
Primary 1	Primary 2	0.351 - 0.429	Ohm	5682 - 55/65Hp Ignition Coil	See Figure "A"
Primary	Secondary	450000000 - 550000000	Ohm		
Secondary 1	Secondary 2	2699.1 - 3298.9	Ohm		
Black & Green Wire	Black & White Wire	0.396 - 0.484	Ohm	6097 - 100Hp Ignition Coil	See Figure "B"
Yellow & Brown Wire	Black & White Wire	0.405 - 0.495	Ohm		
Black & Blue Wire	Black & White Wire	0.387 - 0.473	Ohm		
Ground	Black & White Wire	450000000 - 550000000	Ohm		
Secondary 1	Ground	1385.1 - 1747.9	Ohm		
Secondary 2	Ground	1386 - 1694	Ohm		
Secondary 3	Ground	1386 - 1694	Ohm		
Yellow Wire	Yellow Wire	0.100	Ohm	6564 - 100Hp Stator Coil (Magneto)	
Black	Red	2.950	Volts (DC)	5338 - Hirth Voltage Regulator	Must have a multi-meter with a diode test to diagnose voltage regulator
Red	Black	> 5.000	Volts (DC)		
Yellow	Yellow	2.300	Volts (DC)		





All the green wire in the diagram is black wire in hovercraft
 All the light green wire in the diagram is white wire in hovercraft

* This port may be ground for devices like window brush or front light depend on different craft

ALL DIMENSIONS IN IN AND [mm]

# REQUIRED:	CHECKED:
SCALE:	WEIGHT: (LBS) (G)
FINISH:	
USED ON ASSEMBLY:	FILE NUMBER:

SIG. NO.	REVISION	DATE
1649 TIPPECANOE STREET TERRE HAUTE, INDIANA, U.S.A. 47807-2394 TELEPHONE (812) 234-1120 FAX (812) 234-3217		
DRAWN:	C. STEIMEL	NAME: HT4 ELECTRICAL SCHEMATIC
DATE:	12 MAR, 2008	NUMBER: 6460

FUSE BLOCK INTRODUCED 2022

NOTES:

1) FUSE BLOCK MOUNTED UNDER DASH IN CENTER OF FRONT DUCT.

2) LABEL IS MOUNTED IN LID.

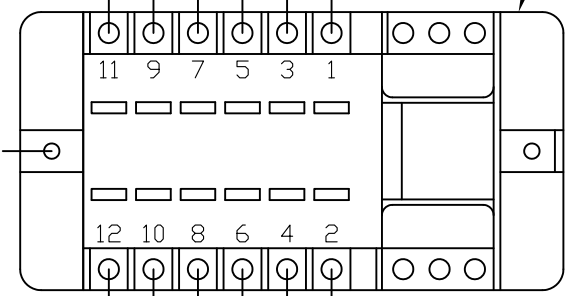
FUSES:

- 5 AMP-9448
- 10 AMP-9449
- 15 AMP-9450

1 - INSTRUMENT	1	5	A	2	10	A
2 - HORN/BILGE			M			P
3 - NAV/HEAD LIGHTS	3	10	A	4	15	A
4 - REVERSE			M			P
5 - AUX POWER	5	10	A	6	10	A
6 - FUEL			M			P
7 - EMERGENCY	7	10	A	8	10	A
8 - WATER PUMP			M			P
9 - SPOT LIGHT	9	10	A	10	5	A
10 - GPS			M			P
11 - SIDE LIGHTS	11	10	A	12	OPEN	
12 - OPEN			M			

BILL OF MATERIAL		
REF.	PART#	DESCRIPTION
1	9871	FUSE BLOCK, MODIFIED
2	16563	FUSE BLOCK LABEL
3	9448	5 AMP FUSE
4	9449	10 AMP FUSE
5	9450	15 AMP FUSE

- SPOT #1 INSTRUMENT HOOKS TO INST. HARNESS (5AMP)
- SPOT #3 NAV/HEAD LIGHTS HOOKS TO NAV SWITCH (15AMP)
- SPOT #5 AUX POWER HOOKS TO AUX + SPADE TERMINAL (10AMP)
- SPOT #7 EMERGENCY LIGHT HOOKS TO EMERGENCY LIGHT SWITCH (10AMP)
- SPOT #9 SPOT LIGHT HOOKS TO SPOT LIGHT POWER WIRE (10AMP)
- SPOT #11 SIDE LIGHTS HOOKS TO SIDE LIGHT SWITCH (10AMP)



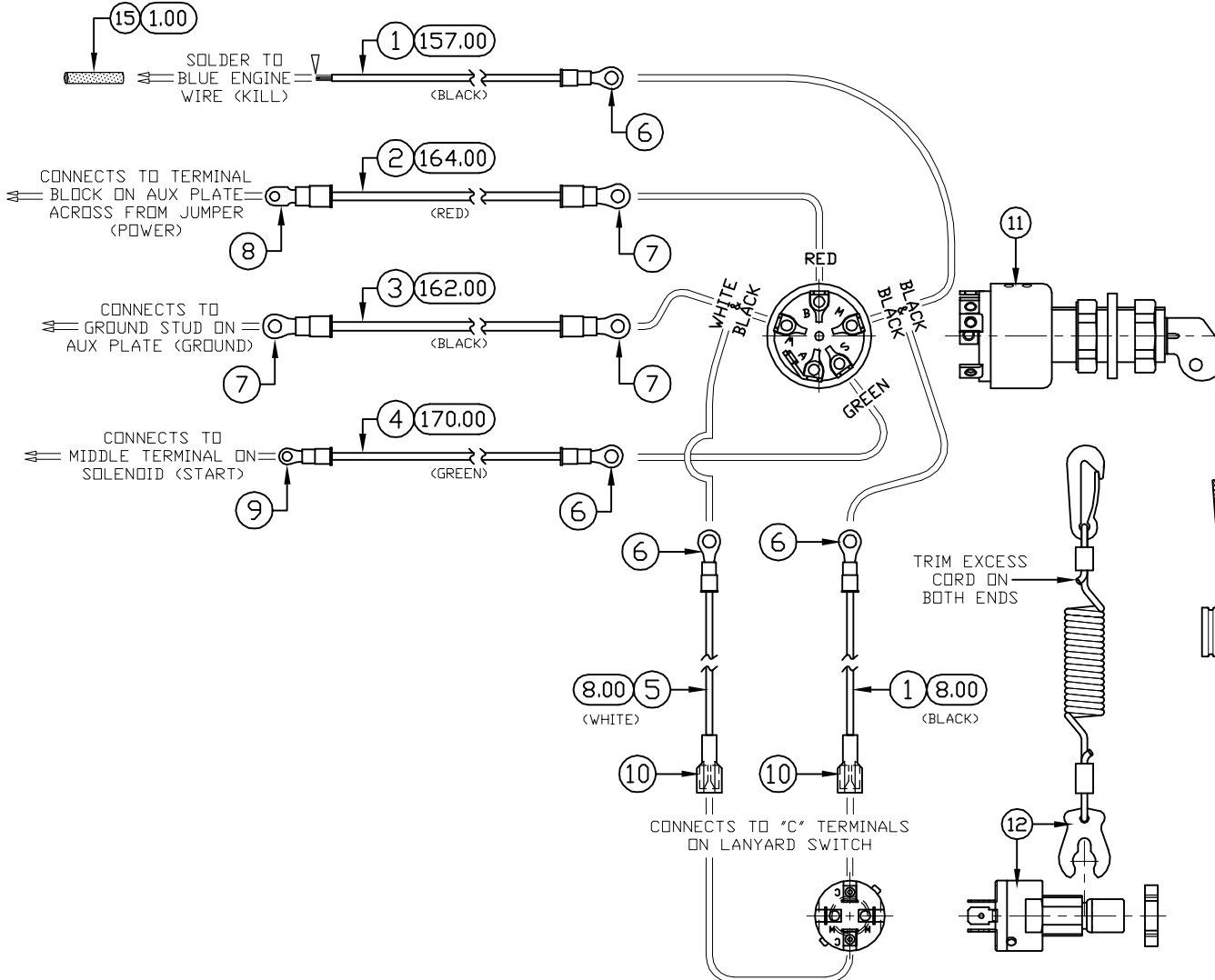
MAIN POWER HOOKUP FROM BATTERY (STARTER SOLENOID)

- SPOT #12 OPEN POSITION FOR ADDITIONAL ACCESORIES ()
- SPOT #10 GPS HOOKS TO GPS POWER WIRE (10AMP)
- SPOT #8 WATER PUMP HOOKS TO WATER PUMP POWER WIRE (10AMP)
- SPOT #6 FUEL PUMP HOOKS TO FUEL PUMP SWITCH (10AMP)
- SPOT #4 REVERSE HOOKS TO REVERSE ON/OFF SWITCH (15AMP)
- SPOT #2 HORN/BILGE HOOKS TO BILGE SWITCH (10AMP)

# REQUIRED:	CHECKED:
SCALE:	
PAGE: 1 OF 1	WEIGHT:

SIG. NO.	REVISION	DATE
1649 TIPPECANOE STREET TERRE HAUTE, INDIANA, U.S.A. 47807-2994 TELEPHONE (812) 234-1120 FAX (812) 234-3217		
DRAWN:	NAME:	
CJ POEHLIN	FUSE BLOCK HOOKUP	
DATE:	NUMBER:	REV.
13 JAN, 2023	17458	2

FOR USE DURING
INSTALLATION



BILL OF MATERIAL			
REF.	PART#	DESCRIPTION	QTY.
1	7648	BLACK MARINE WIRE, TINNED COPPER WIRE	165.00
2	3205	ELEC. CABLE, RED	164.00
3	3206	ELEC. CABLE, BLACK	162.00
4	3081	ELEC. CABLE, GREEN	170.00
5	3013	ELEC. CABLE, WHITE	8.00
6	2197	TERM. FITTING	4
7	2408	TERM. FITTING	3
8	2409	TERM. FITTING	1
9	2196	TERM. FITTING	1
10	2198	TERM. FITTING	2
11	1884	MARINE IGNITION SWITCH ASSY	1
12	1052	LANYARD SWITCH ASSY	1
13	2991	WIRE LOOM	76.00
14	2659	CORRUGATED LOOM	16.00
15	2951	HEAT SHRINK, BLACK	1.00



TRIM EXCESS
CORD ON
BOTH ENDS

NOTES:

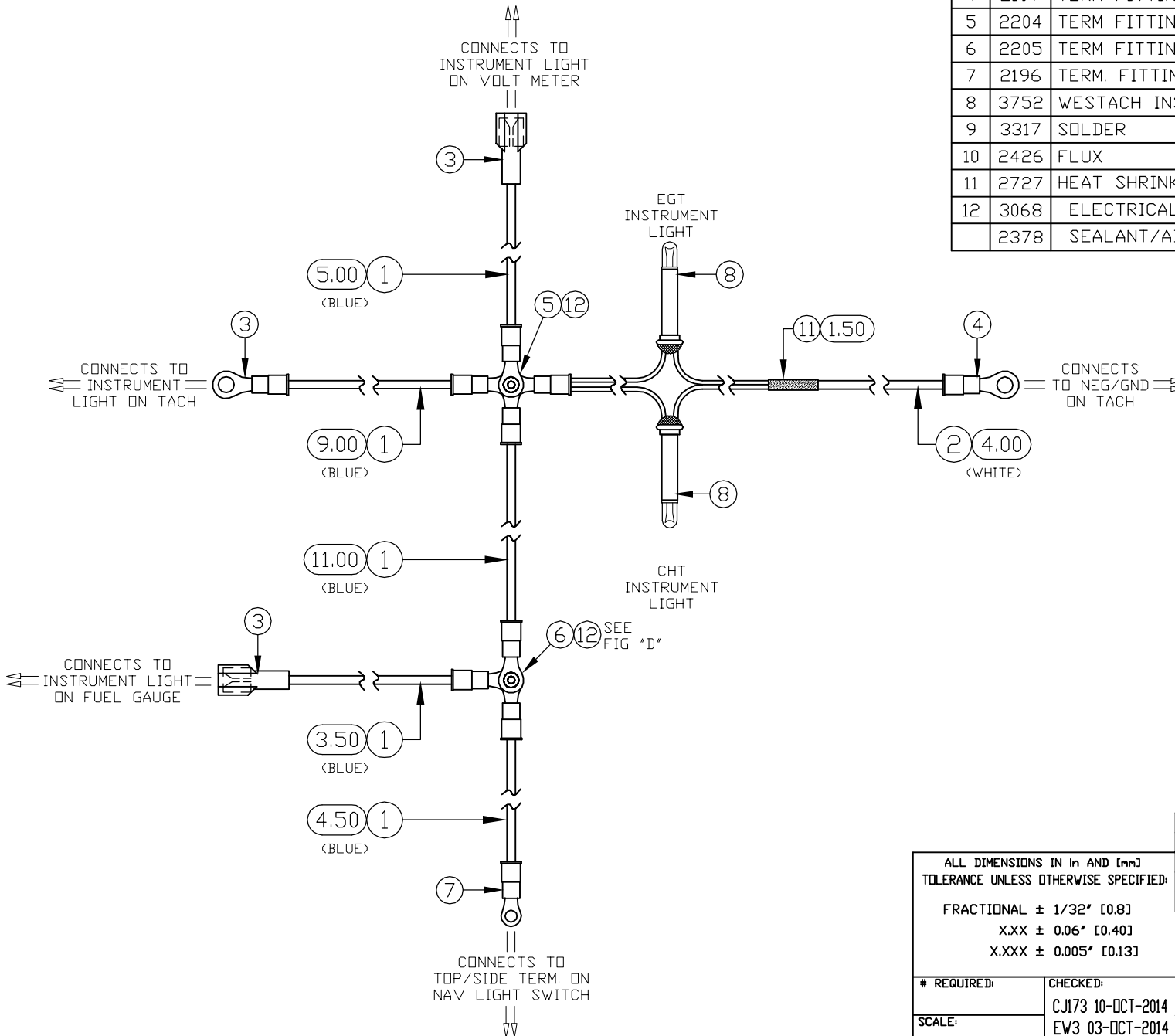
1. WIRE HARNESS WILL INCLUDE EVERY THING SHOWN.

ORDER OF OPERATIONS

1. ATTACH WIRES TO IGNITION SWITCH AS SHOWN.

ALL DIMENSIONS IN IN AND [mm] TOLERANCE UNLESS OTHERWISE SPECIFIED:		CS 2 UPDATED TO STDII & ELECTRICAL STD 16 MAY, 2014	
X.XX ± 0.13 [3.2]		CS 1 REDRAWN & UPDATED TO STD 23 FEB, 2009	
# REQUIRED:	CHECKED:	SIG. NO. REVISION DATE	
SCALE:	EW3 21-AUG-2014	 1649 TIPPECANOE STREET TERRE HAUTE, INDIANA, U.S.A. 47807-2394 TELEPHONE (812) 234-1150 FAX (812) 234-3217	
PAGE:	1 OF 1		DRAWN: J. DAVIS
WEIGHT:			DATE: 2 JUN., 2005
		NAME: HT4 BASIC WIRE HARNESS	
		NUMBER: 16651	
		REV. 2	

BILL OF MATERIAL			
REF.	PART #	DESCRIPTION	QTY.
1	3012	ELEC. CABLE BLUE	32.00
2	3013	ELEC. CABLE, WHITE	4.00
3	2198	TERM. FITTING	2
4	2197	TERM FITTING	2
5	2204	TERM FITTING	1
6	2205	TERM FITTING	1
7	2196	TERM. FITTING	1
8	3752	WESTACH INSTRUMENT LIGHT KIT	2
9	3317	SOLDER	0.50
10	2426	FLUX	0.1
11	2727	HEAT SHRINK, BLACK	1.50
12	3068	ELECTRICAL TAPE, BLACK	12.00
	2378	SEALANT/ADHESIVE, BLACK	0.25



CS	3	UPDATED TO ELECTRICAL STD	22 MAY, 2014
CJ	2	ADDED FIGURE A-D & SWITCHED ENDS OUT OF 4-WAY	22 FEB, 2013
CJ	2	REMOVED JUMPER, ADDED GOOP, & UPDATED TO STD II	18 OCT, 2012
CS	1	REDRAWN & UPDATED TO STD	19 FEB, 2009
SIG.	NO.	REVISION	DATE

ALL DIMENSIONS IN IN AND [mm]
TOLERANCE UNLESS OTHERWISE SPECIFIED:

FRACTIONAL ± 1/32" [0.8]
X.XX ± 0.06" [0.40]
X.XXX ± 0.005" [0.13]

# REQUIRED:	CHECKED:
SCALE:	CJ173 10-OCT-2014 EW3 03-OCT-2014
PAGE:	WEIGHT:
1 OF 1	1.0 OZ

Neoteric Hovercraft Inc.

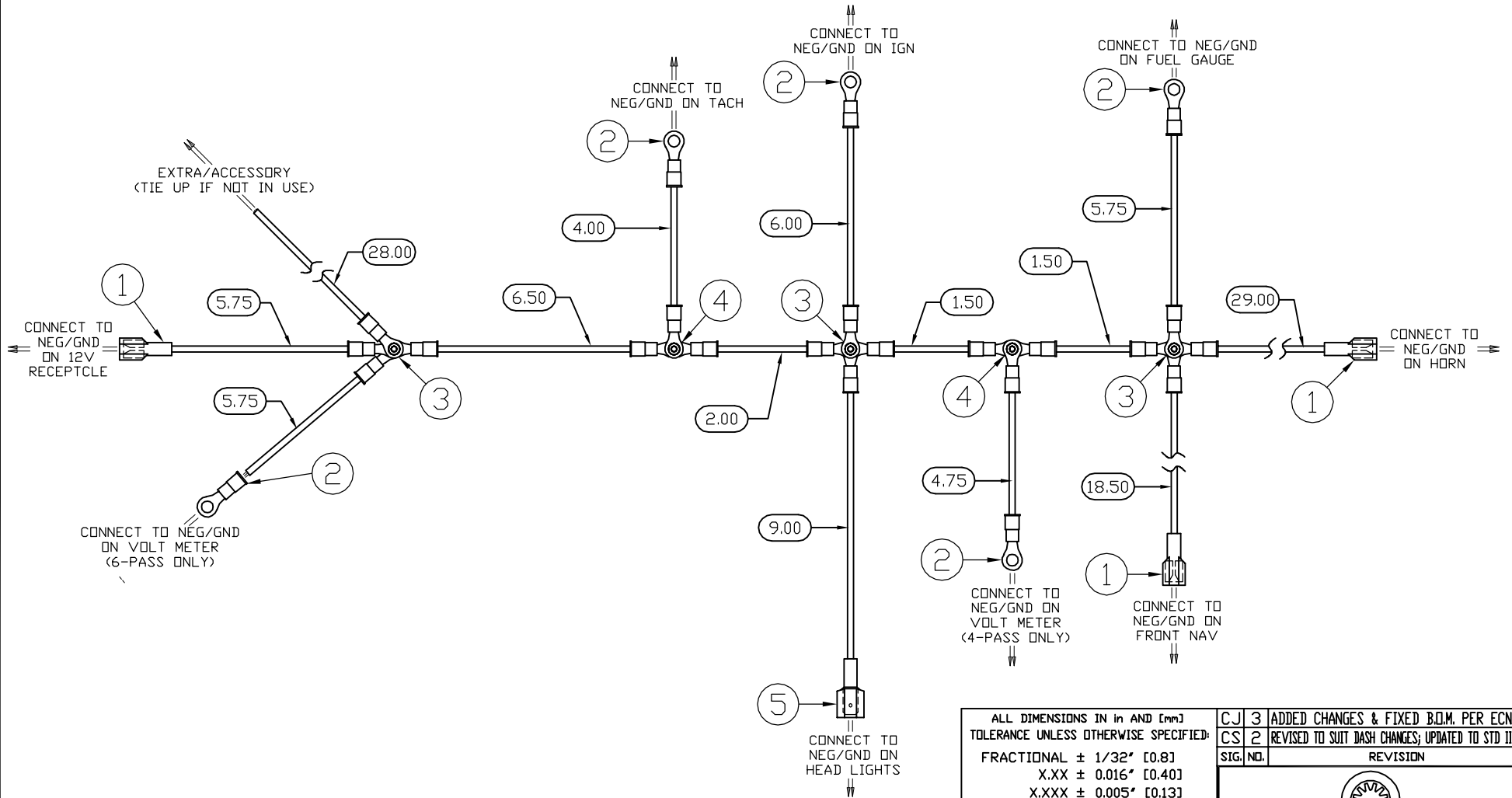
1649 TIPPECANOE STREET
TERRE HAUTE, INDIANA, U.S.A. 47807-2394
TELEPHONE (812) 234-1120 FAX (812) 234-3217

DRAWN: J. DAVIS
NAME: HT4 LAMP HARNESS
DATE: 1 JUN, 2005
NUMBER: 16652
REV: 3

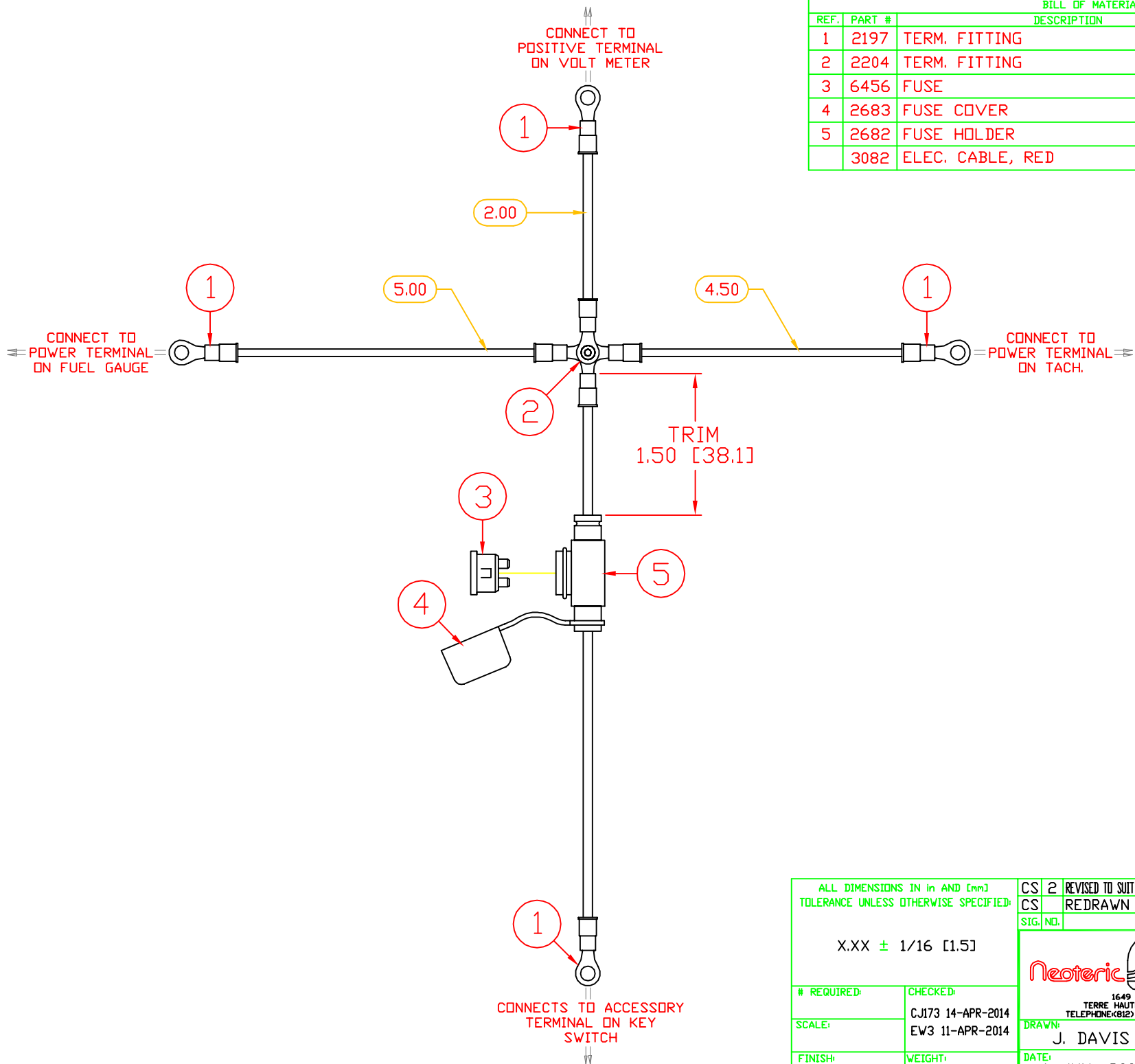
NOTES:

1) HOOK UP WIREING AS SPECIFIED.

BILL OF MATERIAL			
REF.	PART #	DESCRIPTION	QTY.
1	2198	TERM. FITTING	3
2	2197	TERM. FITTING	5
3	2204	TERM. FITTING	3
4	2205	TERM. FITTING	2
5	2199	TERM. FITTING	1
6	3013	ELEC. CABLE, WHITE	129.00
7	3068	ELECTRICAL TAPE, BLACK	30.00
8	3307	PLASTIC BAG	1
9	3309	SEALING TAPE, RED	2



ALL DIMENSIONS IN IN AND [mm] TOLERANCE UNLESS OTHERWISE SPECIFIED: FRACTIONAL ± 1/32" [0.8] X.XX ± 0.016" [0.40] X.XXX ± 0.005" [0.13] X.X" ± 0.10"		CJ 3	ADDED CHANGES & FIXED B.O.M. PER ECN	17 FEB, 2014
		CS 2	REVISED TO SUIT DASH CHANGES; UPDATED TO STD II	05 JUL, 2013
		SIG. NO.	REVISION	DATE
		1649 TIPPECANOE STREET TERRE HAUTE, INDIANA, U.S.A. 47807-2394 TELEPHONE (812) 234-1120 FAX (812) 234-3217		
# REQUIRED:	CHECKED:	DRAWN:	NAME:	
	EW3 17 FEB, 2014	J. DAVIS	HT GROUND HARNESS	
SCALE:	CS137 18 FEB, 2014	DATE:	NUMBER:	REV.
		19 MAY, 2005	16653	3



BILL OF MATERIAL			
REF.	PART #	DESCRIPTION	QTY.
1	2197	TERM. FITTING	4
2	2204	TERM. FITTING	1
3	6456	FUSE	1
4	2683	FUSE COVER	1
5	2682	FUSE HOLDER	1
	3082	ELEC. CABLE, RED	11.50

ALL DIMENSIONS IN IN AND [mm]
TOLERANCE UNLESS OTHERWISE SPECIFIED:

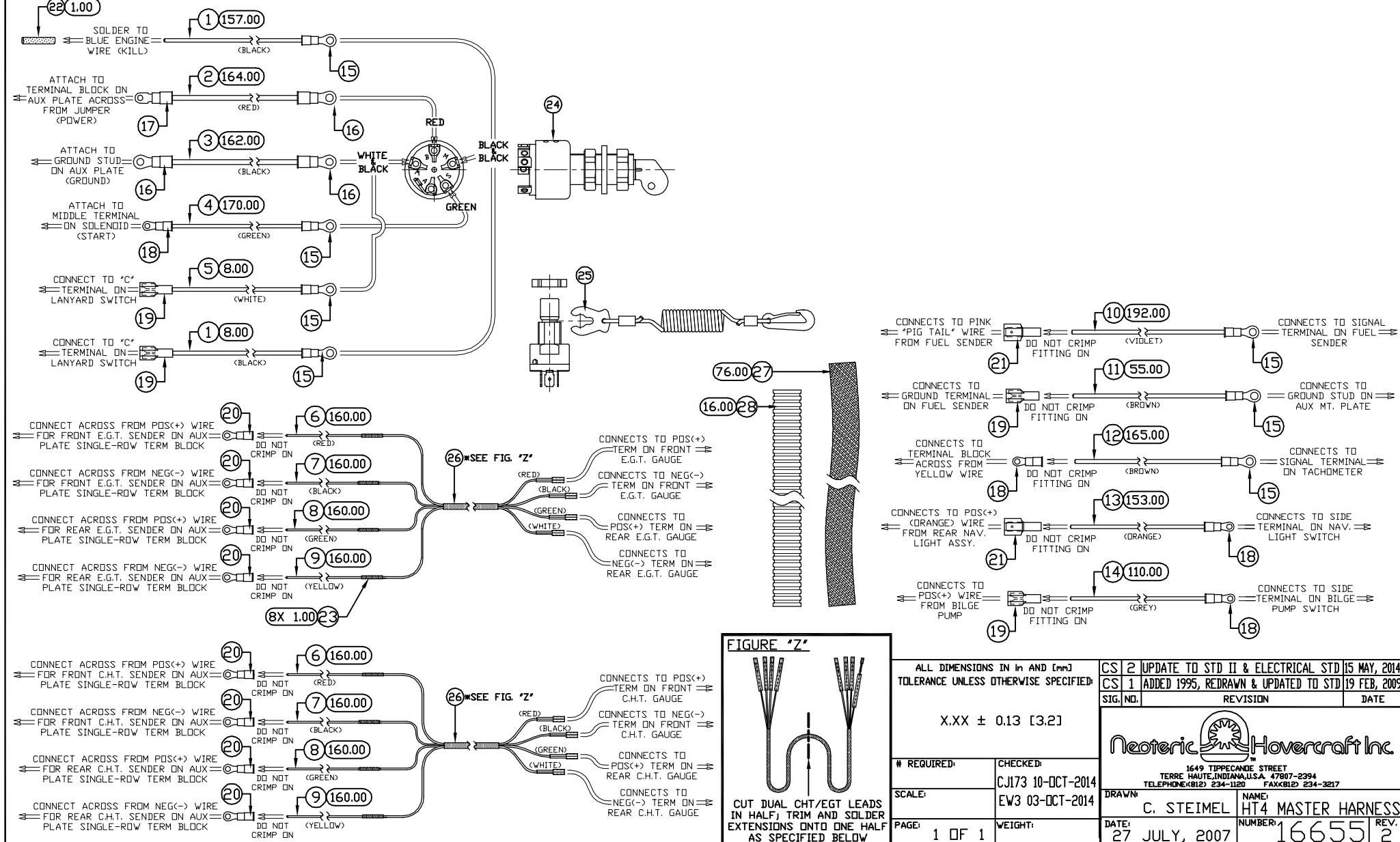
X.XX ± 1/16 [1.5]

# REQUIRED:	CHECKED:	CS 2	REVISOR:	DATE:
	CJ173 14-APR-2014	CS	REVISION:	DATE:
SCALE:	EW3 11-APR-2014			
FINISH:	WEIGHT:	1649 TIPPECANOE STREET TERRE HAUTE, INDIANA, U.S.A. 47807-2394 TELEPHONE (812) 234-1120 FAX (812) 234-3217		
		DRAWN:	NAME:	REV.
		J. DAVIS	HT INSTRUMENT HARNESS	
		DATE:	NUMBER:	
		1 JUN, 2005	16654	2

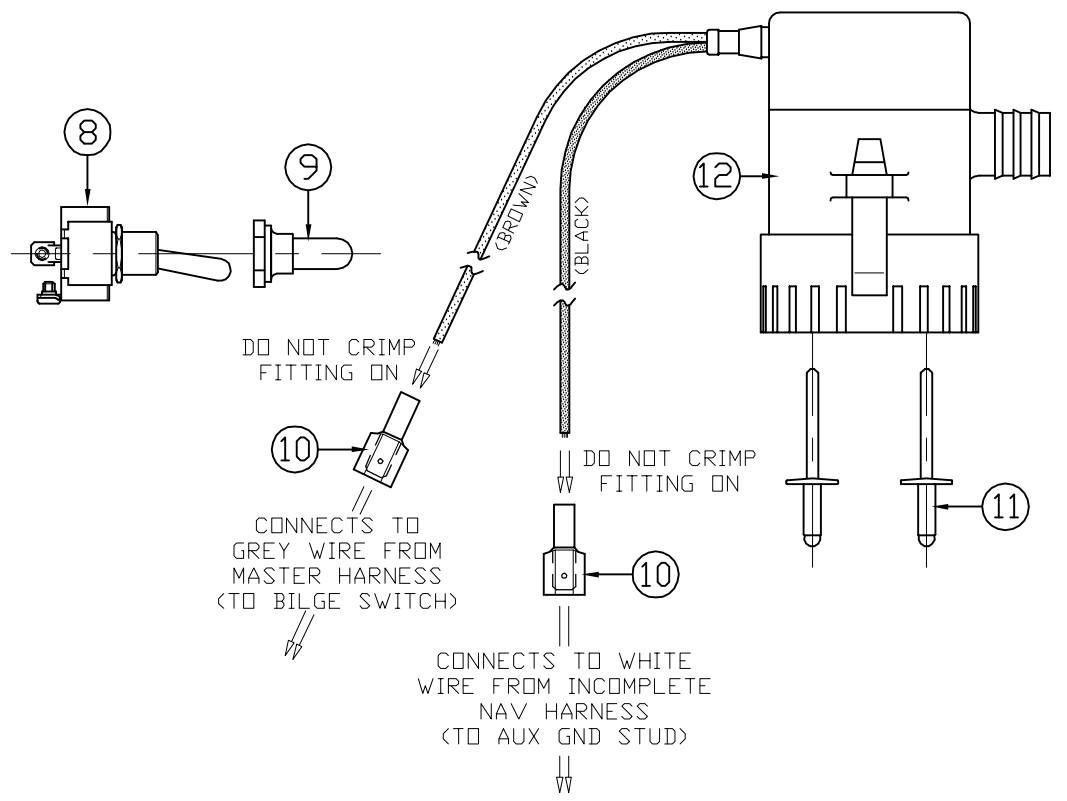
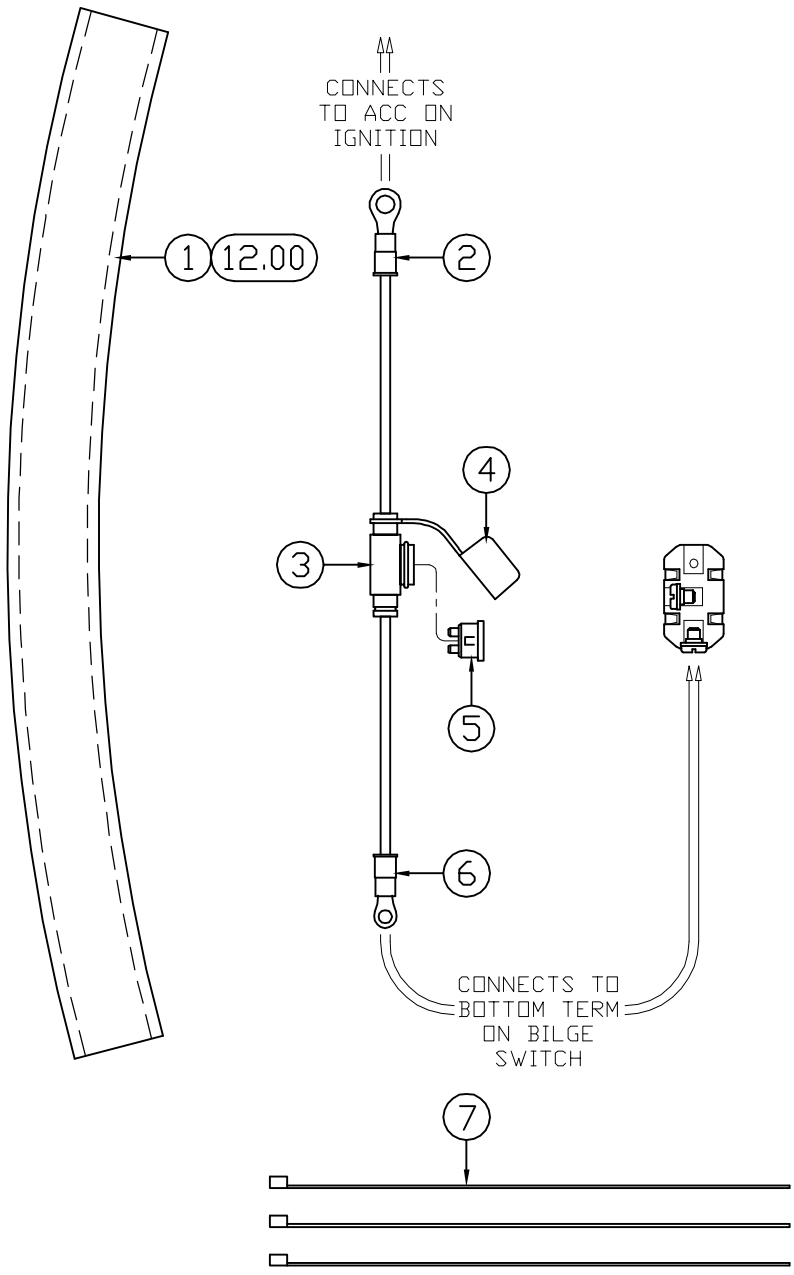
BILL OF MATERIAL											
REF.	PART #	DESCRIPTION	QTY.	REF.	PART #	DESCRIPTION	QTY.	REF.	PART #	DESCRIPTION	QTY.
1	7648	BLACK MARINE WIRE, TINNED COPPER WIRE	165.00	11	3098	ELEC. CABLE, BROWN	55.00	21	2199	TERM. FITTING	2
2	3205	ELEC. CABLE, RED	164.00	12	7649	BROWN MARINE WIRE, TINNED COPPER WIRE	165.00	22	2951	HEAT SHRINK, BLACK	1.00
3	3206	ELEC. CABLE, BLACK	162.00	13	3010	ELEC. CABLE, ORANGE	153.00	23	2727	HEAT SHRINK, BLACK	8.00
4	3081	ELEC. CABLE, GREEN	170.00	14	3097	ELEC. CABLE, GREY	110.00	24	1884	MARINE IGNITION SWITCH ASSY	1
5	3013	ELEC. CABLE, WHITE	8.00	15	2197	TERM. FITTING	7	25	1052	LANYARD SWITCH ASSY	1
6	3302	ELEC. CABLE, RED	320.00	16	2408	TERM. FITTING	3	26	6368	DUAL EGT/CHT LEADS	1
7	3303	ELEC. CABLE, BLACK	320.00	17	2409	TERM. FITTING	1	27	2991	WIRE LOOM	76.00
8	3389	ELEC. CABLE, GREEN	320.00	18	2196	TERM. FITTING	4	28	2659	CORRUGATED LOOM	16.00
9	3388	ELEC. CABLE, YELLOW	320.00	19	2198	TERM. FITTING	4				
10	3213	ELEC. CABLE, VIOLET	192.00	20	2209	TERM. FITTING	8				

C. CABLE, WHITE

FOR USE DURING INSTALLATION

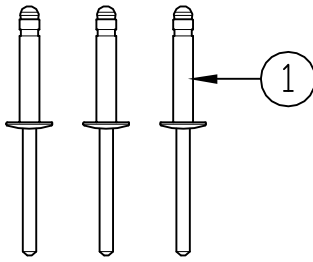


ALL DIMENSIONS IN IN AND [mm]		CS 2 UPDATE TO STD II & ELECTRICAL STD 15 MAY, 2014
TOLERANCE UNLESS OTHERWISE SPECIFIED:		CS 1 ADDED 1995, REDRAWN & UPDATED TO STD 19 FEB, 2009
SIG. NO.	REVISION	DATE
X.XX ± 0.13 [3.2]		
# REQUIRED:	CHECKED:	
SCALE:	CJ173 10-OCT-2014	
PAGE:	EW3 03-OCT-2014	
1 OF 1	WEIGHT:	
1649 TIPPECANOE STREET TERRE HAUTE, INDIANA, USA 47807-2394 TELEPHONE (812) 234-1150 FAX (812) 234-3217		
DRAWN:	NAME:	
C. STEIMEL	HT4 MASTER HARNESS	
DATE:	NUMBER:	
27 JULY, 2007	16655	REV. 2

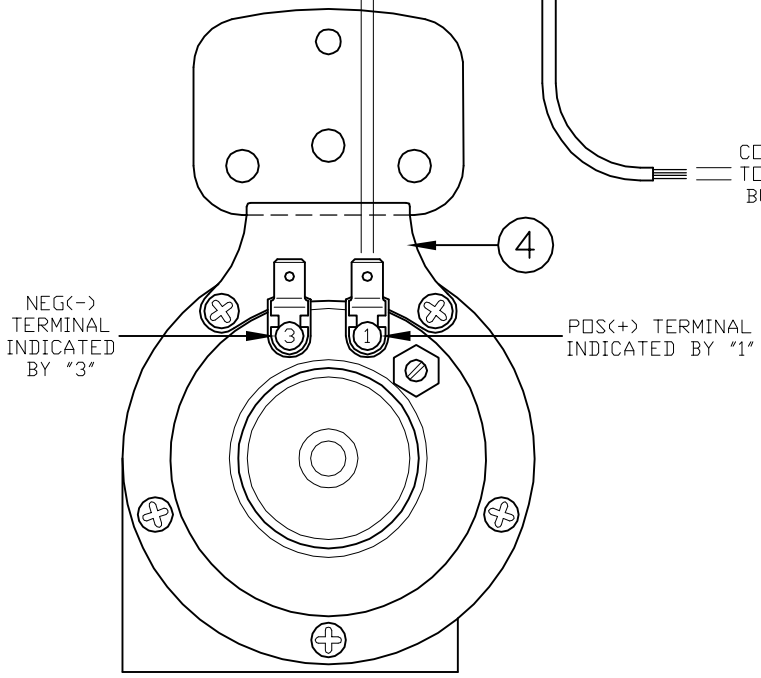
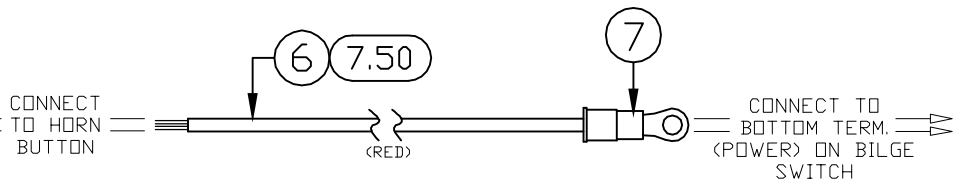
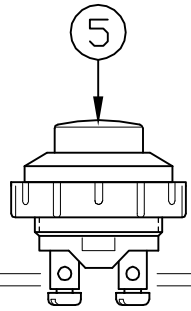
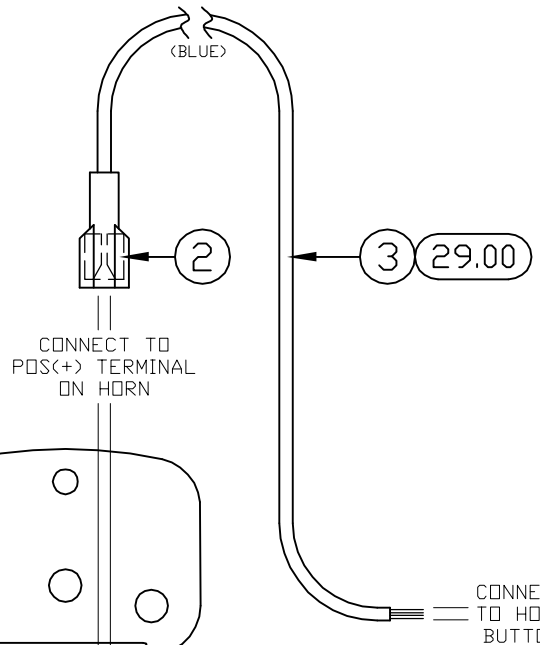


BILL OF MATERIAL			
REF.	PART NO.	DESCRIPTION	QTY.
1	3202	PVC HOSE, CLEAR	12.00
2	2197	TERM. FITTING	1
3	2682	FUSE, HOLDER	1
4	2683	FUSE COVER	1
5	6456	FUSE	1
6	2196	TERM. FITTING	1
7	2372	NYLON WIRE TIE	3
8	1652	TOGGLE SWITCH, ON/OFF	1
9	1653	TOGGLE SWITCH BOOT	1
10	2199	TERM FITTING	2
11	2157	POP RIVET, AL	2
12	1509	BILGE PUMP	1
	3308	PLASTIC BAG	1
	3309	SEALING TAPE, RED	2.00

ALL DIMENSIONS IN in AND [mm]		CS 2	UPDATE TO STD II & ELECTRICAL STD	22 MAY, 2014	
TOLERANCE UNLESS OTHERWISE SPECIFIED:		CS 1	REDRAWN AND UPDATED TO STD	03 MAR, 2009	
X.XX ± 0.06" [1.5]		SIG. NO.	REVISION	DATE	
# REQUIRED:	CHECKED:	 1649 TIPPECANOE STREET TERRE HAUTE, INDIANA, U.S.A. 47807-2394 TELEPHONE (812) 234-1120 FAX (812) 234-3217			
SCALE:	EW3 21-AUG-2014				
PAGE: 1 OF 1	WEIGHT:				
		DRAWN:	R. WILSON	NAME:	HT BILGE PUMP KIT
		DATE:	30 NOV, 2005	NUMBER:	16656
				REV:	2

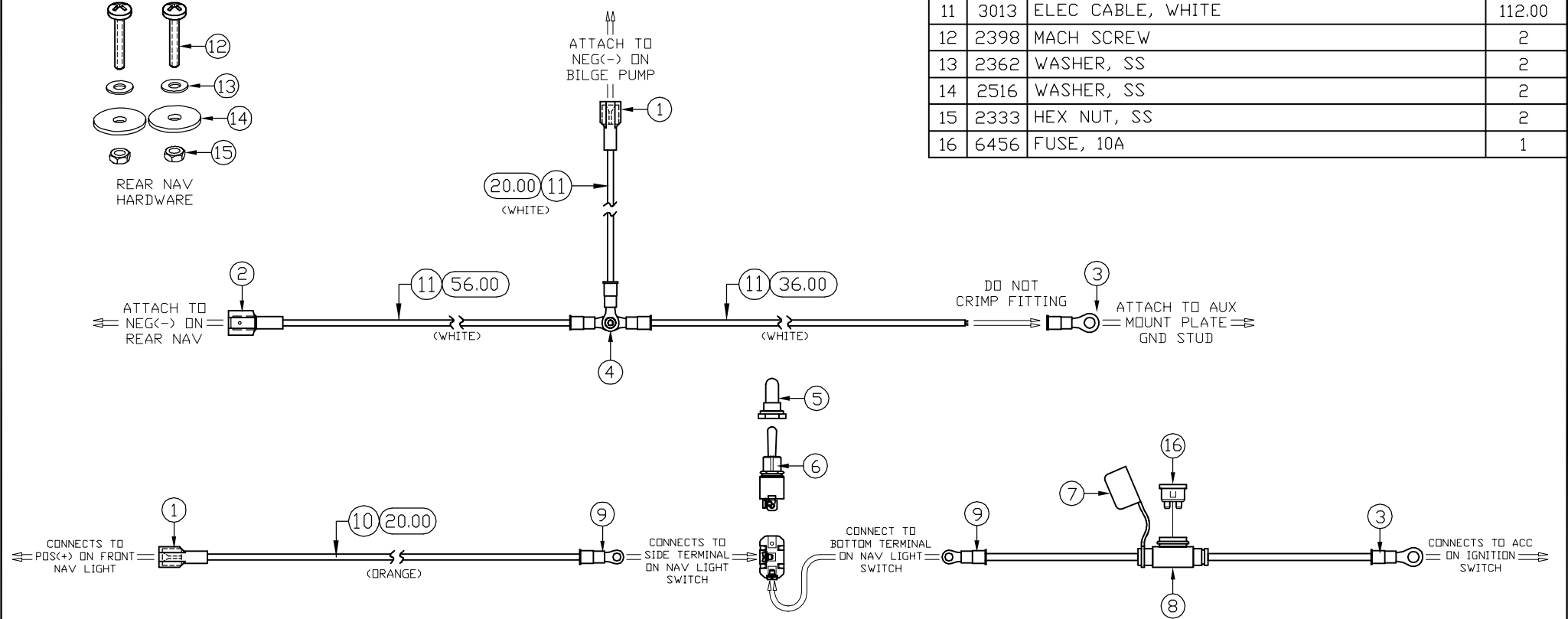
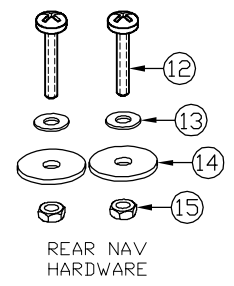
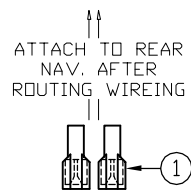


BILL OF MATERIAL			
REF.	PART NO.	DESCRIPTION	QTY.
1	2185	POP RIVET, AL	3
2	2198	TERM. FITTING	1
3	3012	ELEC CABLE	29.00
4	5555	HIDDEN MARINE HORN	1
5	2443	PUSH BUTTON SWITCH ASSY	1
6	3082	ELEC CABLE	7.50
7	2196	TERM. FITTING	1



ALL DIMENSIONS IN In AND [mm] TOLERANCE UNLESS OTHERWISE SPECIFIED:		CS 2 UPDATED TO STD II & ELECTRICAL STD 23 MAY, 2014	CS 1 REDRAWN AND UPDATED TO STD 02 MAR, 2009
X.XX ± 0.13" [3.3]		SIG. NO.	REVISION DATE
# REQUIRED:	CHECKED:	 1649 TIPPECANOE STREET TERRE HAUTE, INDIANA, U.S.A. 47807-2394 TELEPHONE: (812) 234-1120 FAX: (812) 234-3217	
SCALE:	EW3 21-AUG-2014		
PAGE: 1 OF 1	WEIGHT:		
		DRAWN: R. WILSON	NAME: HT HIDDEN MARINE HORN KIT
		DATE: 13 AUG, 2004	NUMBER: 16657 REV. 2

BILL OF MATERIAL			
REF.	PART #	DESCRIPTION	QTY.
1	2198	TERM. FITTING	4
2	2199	TERM. FITTING	1
3	2197	TERM. FITTING	2
4	2205	TERM. FITTING	1
5	1653	TOGGLE SWITCH BOOT	1
6	1652	TOGGLE SWITCH, ON/OFF	1
7	2683	FUSE COVER	1
8	2682	FUSE HOLDER	1
9	2196	TERM. FITTING	2
10	3010	ELEC CABLE, ORANGE	20.00
11	3013	ELEC CABLE, WHITE	112.00
12	2398	MACH SCREW	2
13	2362	WASHER, SS	2
14	2516	WASHER, SS	2
15	2333	HEX NUT, SS	2
16	6456	FUSE, 10A	1



CS	4	UPDATED TO ELECTRICAL STD	22 MAY, 2014
CJ	3	REMOVED TWO 2199 NO LONGER IN THIS KIT	30 JAN, 2014
CJ	2	UPDATED TO STD II & SWITCHED FUSE SIZE	17 JAN, 2013
CS	1	UPDATED BOM & FRONT NAV LIGHT WIRE LENTH	15 APR, 2009
SIG. NO.		REVISION	DATE

ALL DIMENSIONS IN IN AND [mm]
TOLERANCE UNLESS OTHERWISE SPECIFIED:

$$X.XX \pm 0.060" [1.52]$$

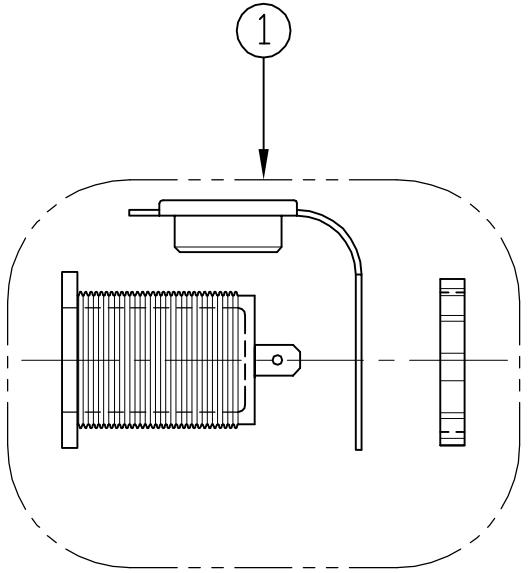
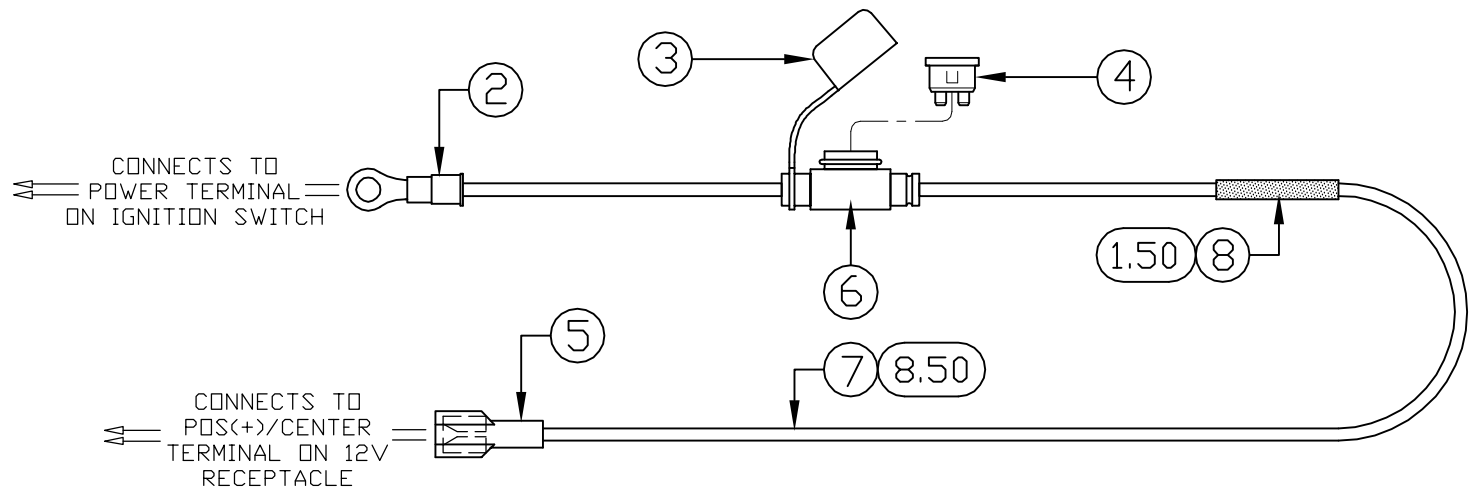
# REQUIRED:	CHECKED:
SCALE:	CJ37 21-AUG-2014
PAGE:	EW3 21-AUG-2014
1 OF 1	WEIGHT:


Neoteric Hovercraft Inc.

1649 TIPPECANOE STREET
TERRE HAUTE, INDIANA, U.S.A. 47807-2394
TELEPHONE (812) 234-1120 FAX (812) 234-3217

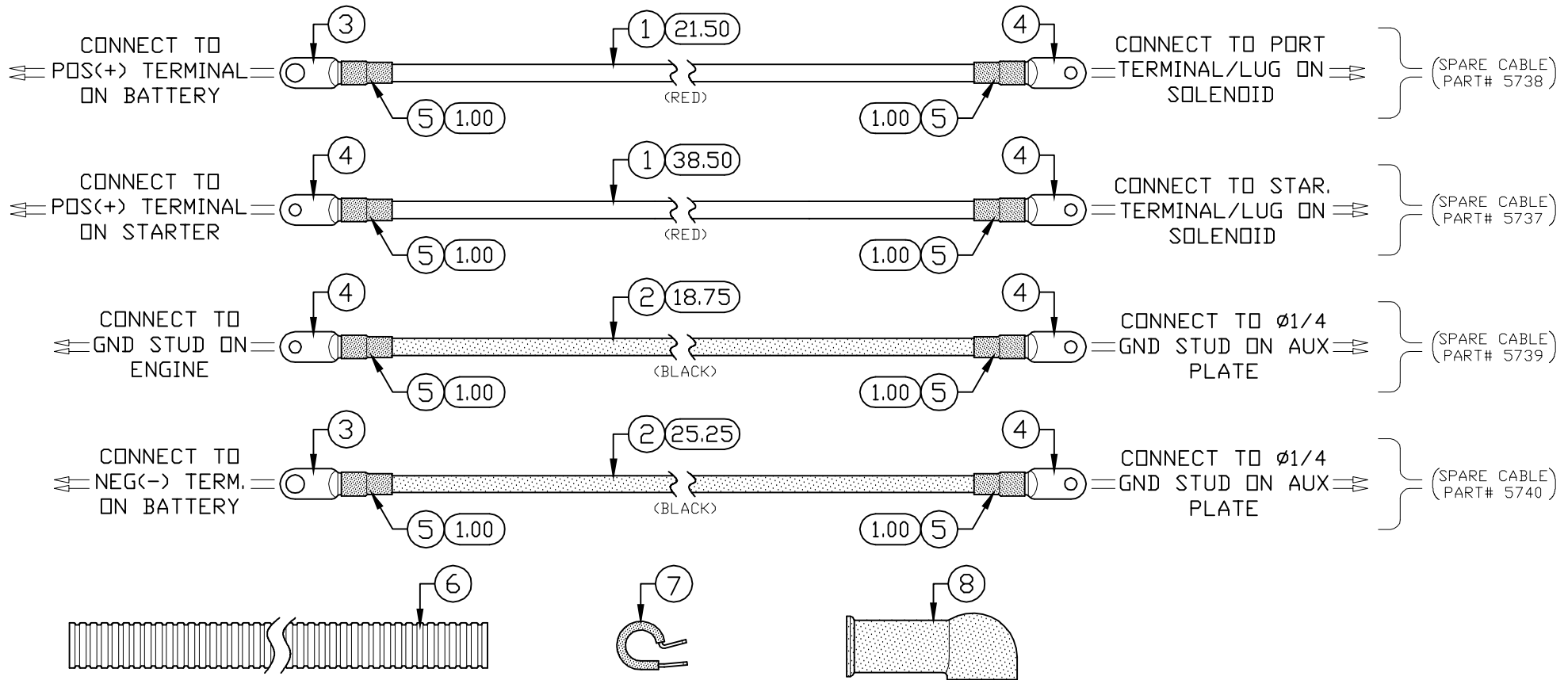
DRAWN: C. STEIMEL
NAME: INCOMPLETE NAV LIGHT KIT
DATE: 23 JAN, 2009
NUMBER: 16658
REV. 4

BILL OF MATERIAL			
REF.	PART NO.	DESCRIPTION	QTY.
1	6468	RECEPTACLE	1
2	2197	TERM. FITTING	1
3	2683	FUSE COVER	1
4	6456	FUSE	1
5	2198	TERM. FITTING	1
6	2682	FUSE HOLDER	1
7	3082	ELEC CABLE, RED	8.50
8	3189	HEAT SHRINK, BLACK	1.50



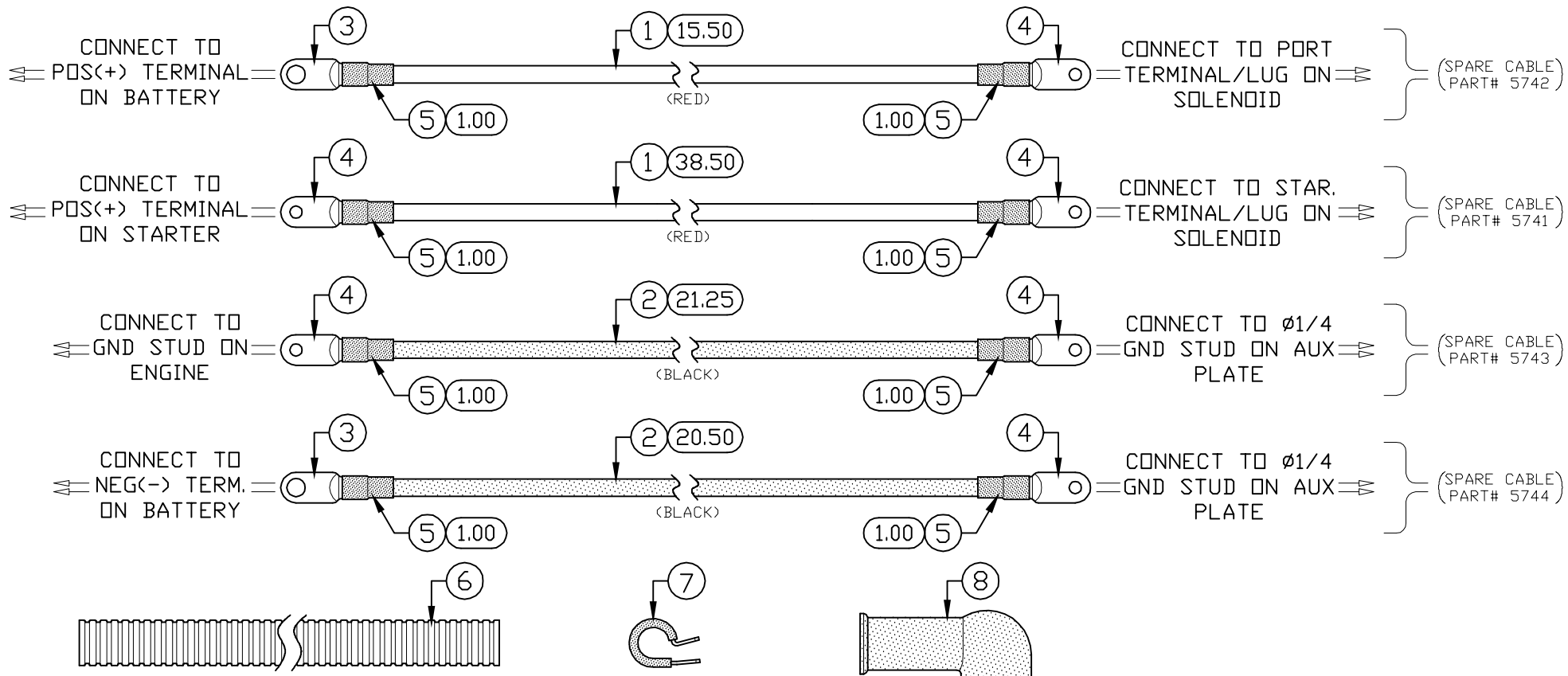
ALL DIMENSIONS IN IN AND [mm]		CS 2	UPDATED TO STD II & ELECTRICAL STD	27 MAY, 2014
TOLERANCE UNLESS OTHERWISE SPECIFIED:		CS 1	REDRAWN & UPDATED TO STD	19 FEB, 2009
X.XX ± 0.13" [3.3]		SIG. NO.	REVISION	DATE
# REQUIRED:	CHECKED:	 1649 TIPPECANOE STREET TERRE HAUTE, INDIANA, U.S.A. 47807-2394 TELEPHONE (812) 234-1120 FAX (812) 234-3217		
SCALE:	EW3 21-AUG-2014			
PAGE:	1 OF 1			
WEIGHT:				
DRAWN: J. DAVIS		NAME: MARINE 12V RECEPTACLE KIT		
DATE: 28 OCT, 2005		NUMBER: 16659		REV. 2

BILL OF MATERIAL			
REF.	PART #	DESCRIPTION	QTY.
1	2987	ELEC. CABLE, RED	60.00
2	2988	ELEC. CABLE, BLACK	44.00
3	2338	TERM. FITTING	2
4	2337	TERM. FITTING	6
5	3192	HEAT SHRINK, BLACK	8.00
6	2422	CORRUGATED LOOM	12.00
7	2309	CUSHIONED CLAMP	1
8	3878	TERMINAL POST CAP (BLACK)	1



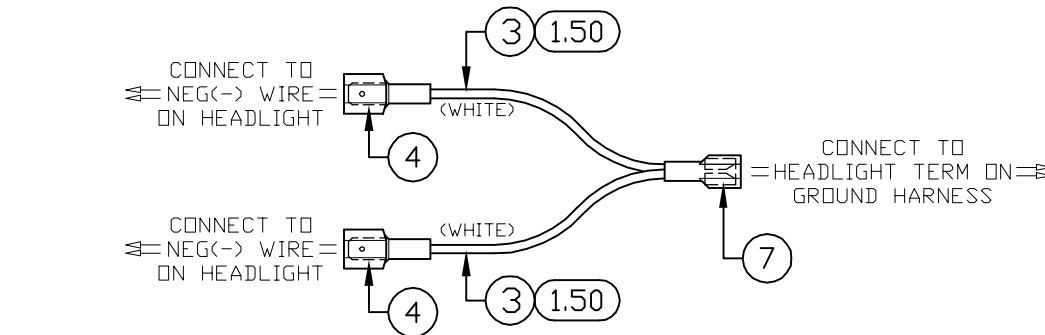
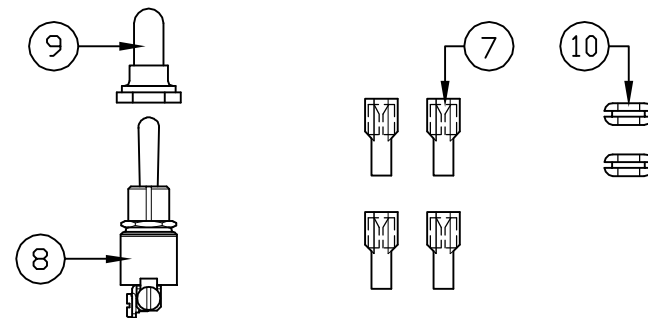
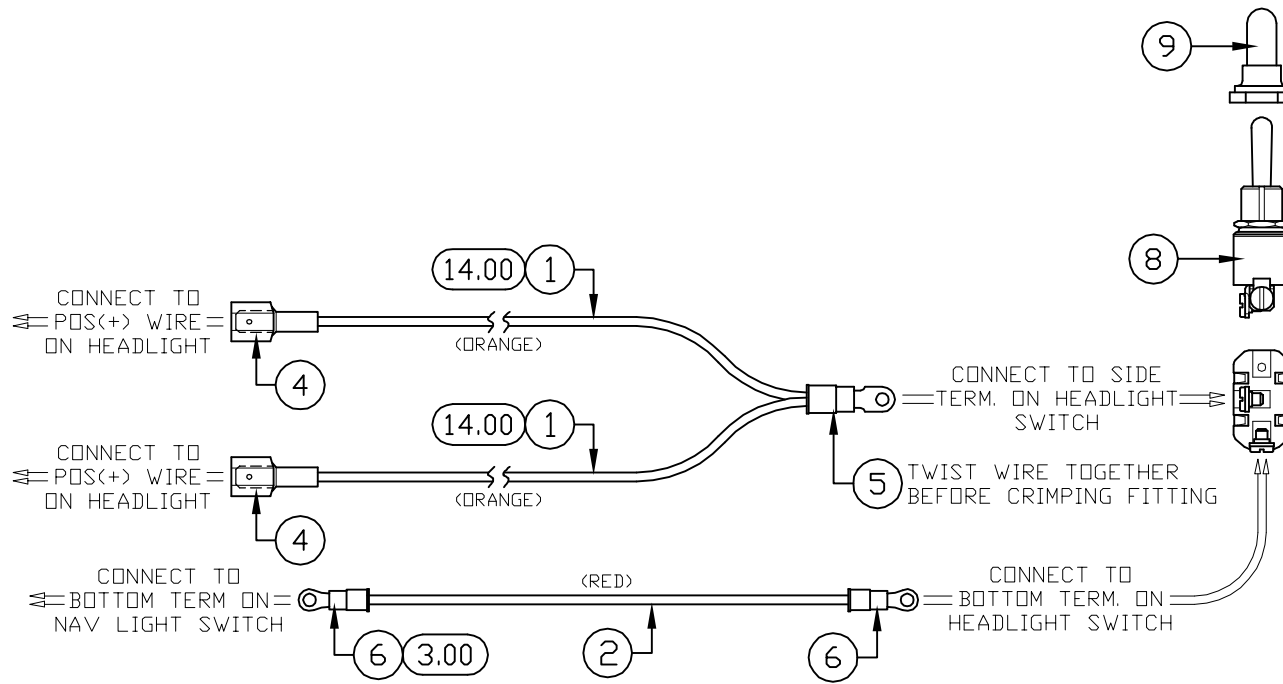
ALL DIMENSIONS IN IN AND [mm] TOLERANCE UNLESS OTHERWISE SPECIFIED:		CS 2	UPDATE TO STD II & ELEC STD	16 JUN, 2014
FRACTIONAL $\pm 1/32"$ [0.8] X.XX $\pm 0.06"$ [0.40]		SIG. NO.	REVISION	DATE
# REQUIRED:	CHECKED:	 1649 TIPPECANOE STREET TERRE HAUTE, INDIANA, U.S.A. 47807-2394 TELEPHONE (812) 234-1120 FAX (812) 234-3217		
SCALE:	CJ173 21-AUG-2014 EW3 21-AUG-2014			
PAGE:	1 OF 1			
WEIGHT:	DATE:	DRAWN:	NAME:	NUMBER:
	20 JULY, 2007	C. STEIMEL	HT4 INLINE BATTERY LEADS	16665
				REV. 2

BILL OF MATERIAL			
REF.	PART #	DESCRIPTION	QTY.
1	2987	ELEC. CABLE, RED	54.00
2	2988	ELEC. CABLE, BLACK	41.75
3	2338	TERM. FITTING	2
4	2337	TERM. FITTING	6
5	3192	HEAT SHRINK, BLACK	8.00
6	2422	CORRUGATED LOOM, BLACK	12.00
7	2309	CUSHIONED CLAMP	1
8	3878	TERMINAL POST CAP (BLACK)	1



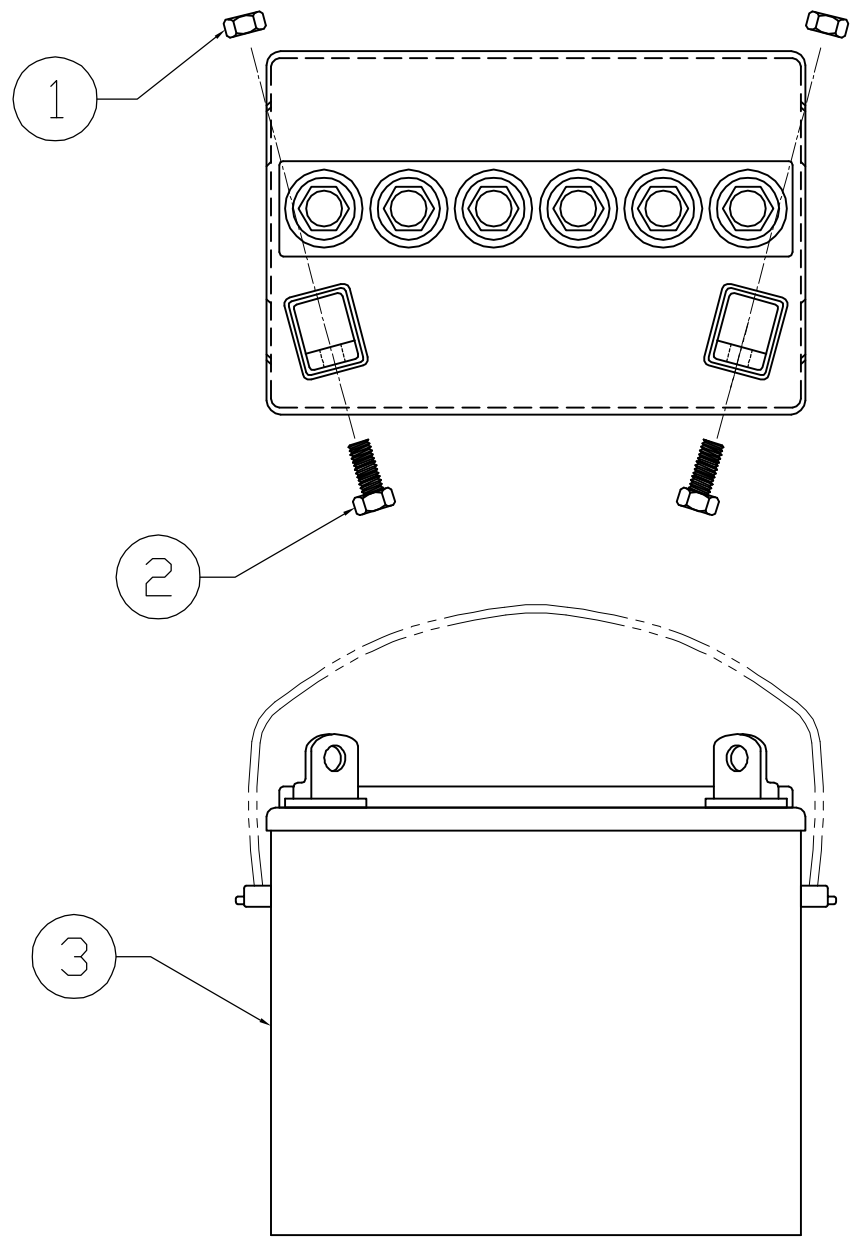
ALL DIMENSIONS IN IN AND [mm] TOLERANCE UNLESS OTHERWISE SPECIFIED:		CS 2	UPDATE TO STD II & ELEC STD	16 JUN, 2014
FRACTIONAL $\pm 1/32"$ [0.8] X.XX $\pm 0.06"$ [0.40]		SIG. NO.	REVISION	DATE
# REQUIRED:	CHECKED:	 1649 TIPPECANOE STREET TERRE HAUTE, INDIANA, U.S.A. 47807-2394 TELEPHONE (812) 234-1120 FAX (812) 234-3217		
SCALE:	CJ173 26-AUG-2014 EW3 21-AUG-2014			
PAGE: 1 OF 1	WEIGHT:			
		DRAWN:	NAME:	
		C. STEIMEL	HT4 SXS BATTERY LEADS	
		DATE:	NUMBER:	REV.
		20 JULY, 2007	16666	2

BILL OF MATERIAL			
REF.	PART #	DESCRIPTION	QTY.
1	3010	ELEC. CABLE, ORANGE	28
2	3082	ELEC. CABLE, RED	3
3	3013	ELEC. CABLE, WHITE	3
4	2199	TERM. FITTING	4
5	2409	TERM. FITTING	1
6	2196	TERM. FITTING	2
7	2198	TERM. FITTING	5
8	1652	TOGGLE SWITCH, ON/OFF	1
9	1653	TOGGLE SWITCH BOOT	1
10	2102	GROMMET	2

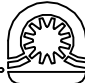


ALL DIMENSIONS IN In AND [mm]		CS 4 UPDATED TO ELECTRICAL STD 13 JUN, 2014	
TOLERANCE UNLESS OTHERWISE SPECIFIED:		SIG. NO.	DATE
X.XX ± 0.06" [1.5]		REVISION	
# REQUIRED:	CHECKED:	 1649 TIPPECANOE STREET TERRE HAUTE, INDIANA, U.S.A. 47807-2394 TELEPHONE (812) 234-1120 FAX (812) 234-3217	
SCALE:	EW3 03-OCT-2014		
PAGE:	WEIGHT:	DRAWN:	NAME:
1 OF 1		CJ POEHLEIN	OVAL LED HEADLIGHT WIRING KIT
		DATE:	NUMBER:
		6 MAR, 2013	16667
			REV. 4

BILL OF MATERIAL			
REF.	PART #	DESCRIPTION	QTY.
1	2227	HEX NUT, SS	2
2	2470	BOLT HEX, SS	2
3	3933	BATTERY	1



SIG. NO.	REVISION	DATE


Neoteric Hovercraft Inc.
 1649 TIPPECANOE STREET
 TERRE HAUTE, INDIANA, U.S.A. 47807-2394
 TELEPHONE (812) 234-1120 FAX (812) 234-3217

DRAWN: CJ POEHLEIN	NAME: SEALED 12V BATTERY ASSY
DATE: 22 MAR, 2016	NUMBER: 16671
	REV. 2

USED ON:	CHECKED:
SCALE:	
PAGE: 1 OF 1	WEIGHT: